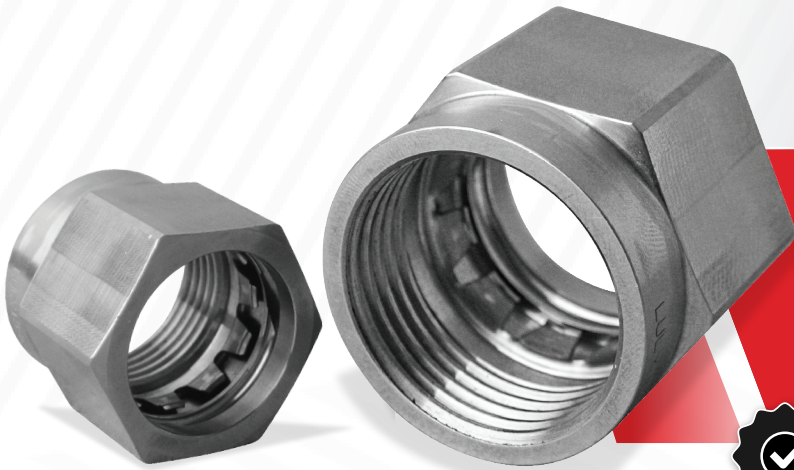


LULYLOK™

Self-locking B-Nut



WORLD REFERENCE **LOCKING**
SYSTEM TO **SECURE** GAS, FLUID
AND PNEUMATIC **CONNECTIONS**



**PATENTED
TECHNOLOGY**

OUR TECHNOLOGY

SECURES CONNECTIONS WITH NO LOCK-WIRE



- Avoids fluid leakage or **FOD** :
The patented mechanism of LULYLOK™ prevents tension losing in harsh conditions such as vibrations or high temperature.

SAVES TIME

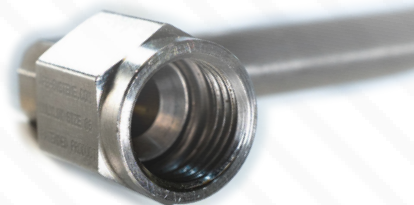


- 1st installation and maintenance are 5 times quicker than standard B-Nut using lock-wire.
- LULYLOK™ installation takes **less than 30 seconds**.

SAVES WEIGHT



- On average, LULYLOK™ is **13% lighter** than standard B-nut for flared design. Up to **750g saved** on an engine fully equipped with LULYLOK™.
- Lightweight means less fuel consumption.



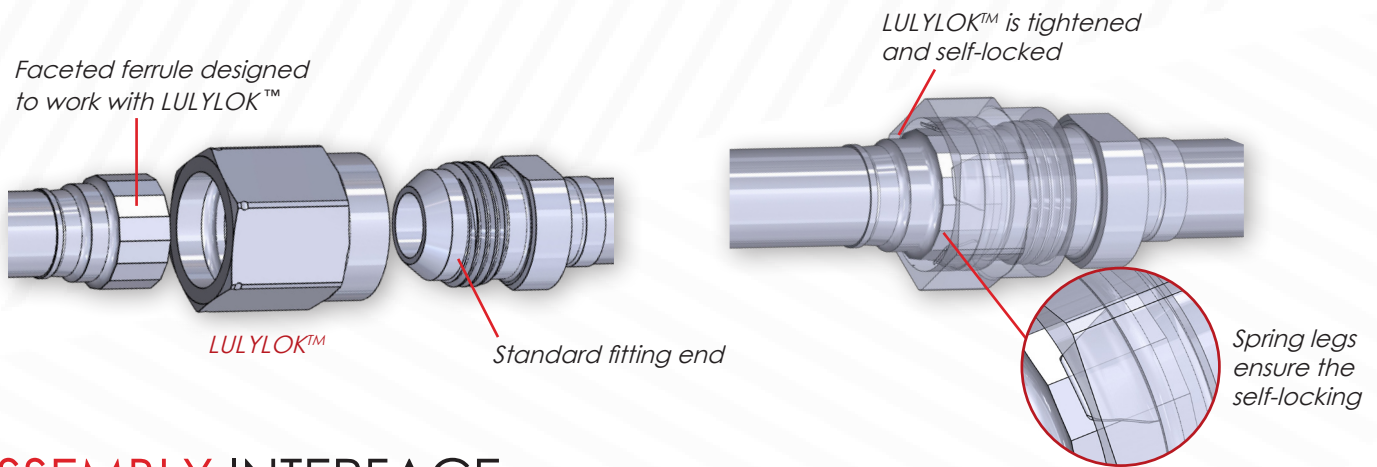
**MORE
THAN** **2.000.000**
pipes **secured** worldwide



MADE IN FRANCE

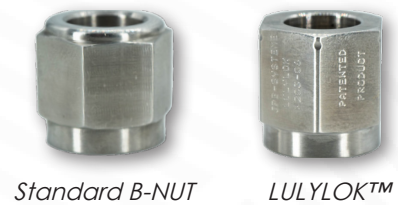
HOW IT WORKS

The self-locking B-Nut LULYLOK™ is equipped with **spring legs** which interact with the ferrule's facettes. Using our patented design, spring legs self-lock on the facettes automatically.



ASSEMBLY INTERFACE

- LULYLOK™ is assembled and torqued as a **standard B-Nut**: no process modification.
- LULYLOK™ has the **same overall dimensions** as standard B-Nut but has less weight.
- LULYLOK™ is built to fit **flared** and/or **flareless** interfaces.



TECHNICAL FEATURES

Size	From -04 up to -16 // FLARED & FLARELESS
Material & Temperature	Stainless Steel 347 (AMS5646) up to 450°F (230 °C)
	Inconel 625 (AMS5666) up to 900°F (480 °C)
Type	B-Nut fittings with shoulder
	B-Nut fittings with thrust wire
Resistance	Complies with standard specification AS18280
Dimensions	LULYLOK™ overall dimensions comply with AN818 standard
Thread Comptability	Thread complies with AS8879

OUTSIDE
STANDARD ?
Ask us !

LULYLOK™
Technology can be
retrofitted

REUSABLE & SUSTAINABLE

LULYLOK™ is reusable throughout the **engine lifetime**.
No replacement = Preservation of material and cost savings.
Reliable = No maintenance required.



MAXIMUM SAFETY • NO LOCK-WIRE • SAVE TIME • LIGHTER
 REUSABLE • SELF-LOCKING • RELIABLE • NO FOD